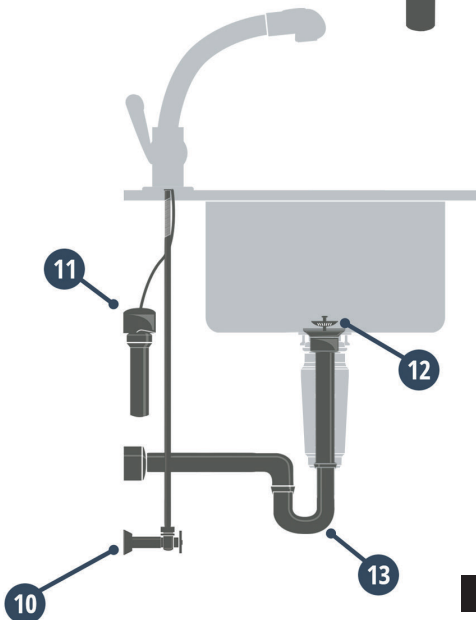
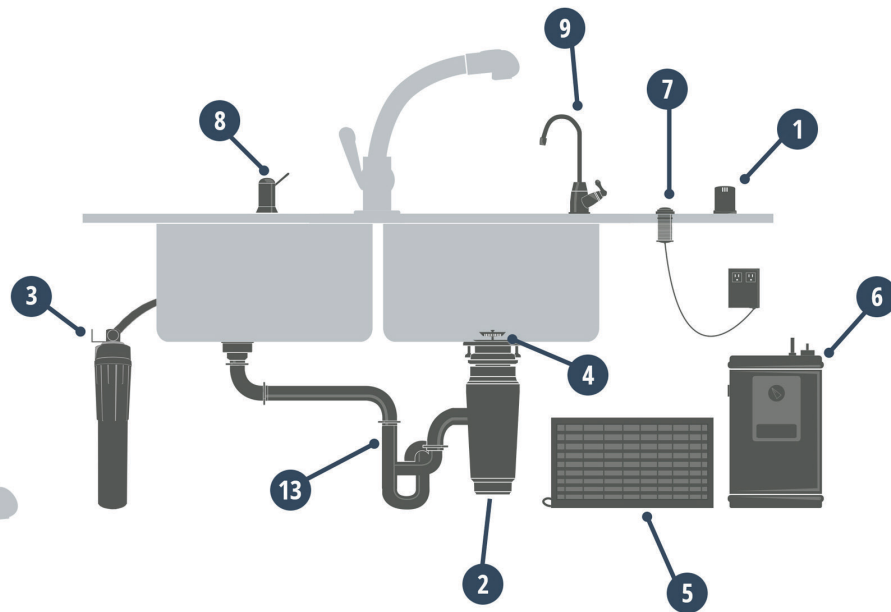


Project Location: \_\_\_\_\_  
 Date: \_\_\_\_\_  
 Customer Name: \_\_\_\_\_  
 Sales Order Number: \_\_\_\_\_

- 1. Kitchen Sink Accessories (Air Gap & Sink Hole Cover) \_\_\_\_\_
- 2. Perfect Grind® Waste Disposer \_\_\_\_\_
- 3. Mountain Pure® Full Flow Water Filter \_\_\_\_\_
- 4. Waste Disposer Trim \_\_\_\_\_
- 5. Mountain Chill® Water Chiller \_\_\_\_\_
- 6. Little Gourmet® Hot Water Dispenser \_\_\_\_\_
- 7. Air Switch \_\_\_\_\_
- 8. Soap/Lotion Dispenser \_\_\_\_\_
- 9. Accessory Faucet (Hot, Hot & Cold, Point-of-Use) \_\_\_\_\_



- 10. Supply Kit\* \_\_\_\_\_
- 11. Mountain Pure® Point-of-Use Water Filtration \_\_\_\_\_
- 12. Strainer Only \_\_\_\_\_
- 13. Space Saving Stealthtrap\* \_\_\_\_\_

Mandatory
  Not Mandatory
 \*Available as a Complete Kit