

BDWOF-DS

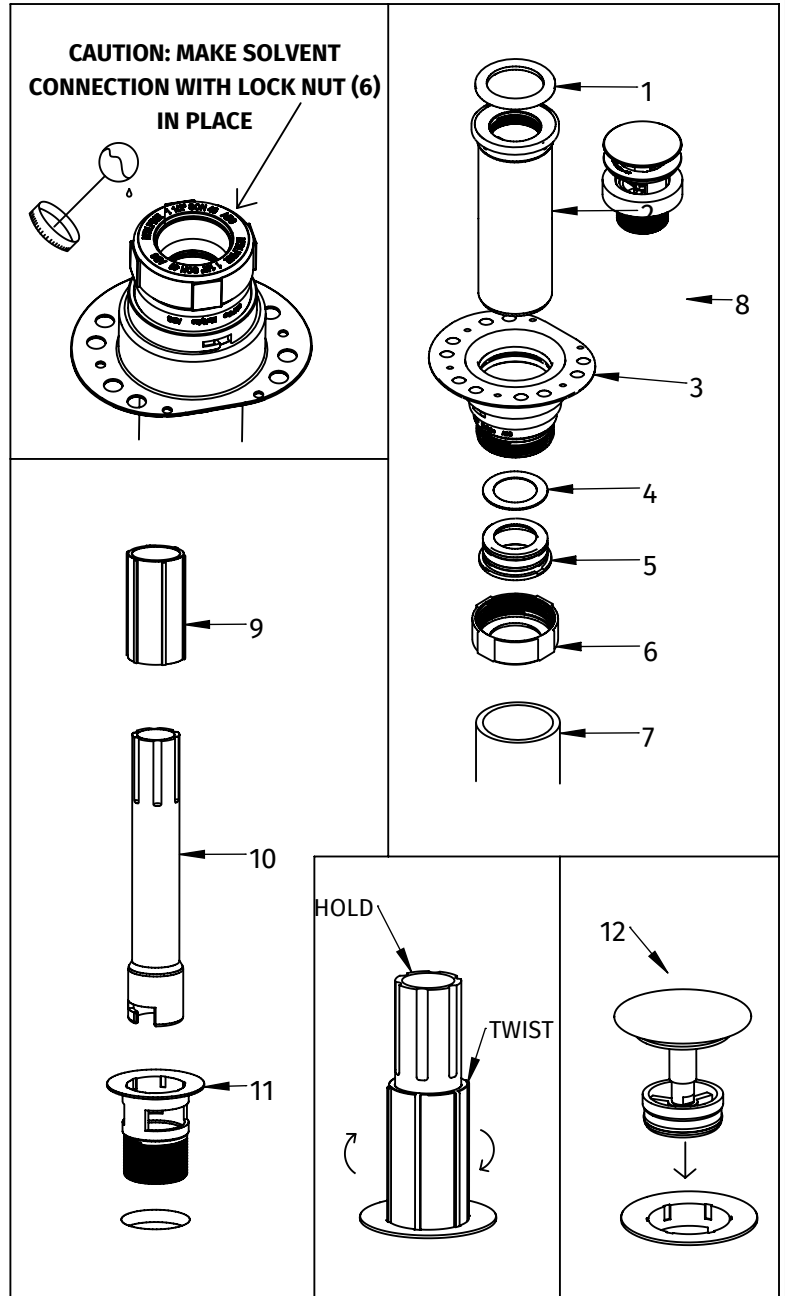
TUB DOCKING STATION - FREE STANDING TUB DRAIN ROUGH-IN

INSTALLATION INSTRUCTIONS



SCAN FOR INSTALLATION VIDEO!

1. CUT A 4" DIAMETER HOLE INTO SUBFLOOR WHERE THE DRAIN WILL BE INSTALLED.
2. **CHOOSE APPROPRIATE 1 1/2" PVC OR ABS SOCKET ADAPTER (5) TO MATCH THE MATERIAL OF THE DWV PIPE.** WITH SILICONE GASKET (4) IN PLACE, INSERT INTO BOTTOM OF ROUGH-IN ASSEMBLY (3) AND SECURE WITH LOCK NUT (6). HAND TIGHTEN ONLY!
3. CUT THE DWV PIPE (7) TO 2 - 13/16" BELOW THE LEVEL OF THE FLOOR. APPLY SOLVENT CEMENT TO PIPE AND SOCKET ADAPTER (5) AND CONNECT ROUGH-IN ASSEMBLY (3) TO DWV PIPE. **MAKE SOLVENT CONNECTION WITH LOCK NUT (6) IN PLACE!**
4. SECURE ROUGH-IN ASSEMBLY (3) TO SUBFLOOR USING SIX SCREWS AROUND THE GREEN FLANGE.
5. INSERT DUST CAP (8) INTO TOP OF ROUGH-IN ASSEMBLY AND FINISH FLOOR LEAVING SPACE TO REMOVE DUST CAP.
6. MEASURE DISTANCE FROM THE TOP OF THE ROUGH-IN ASSEMBLY (3) TO THE BOTTOM OF TUB DRAIN HOLE.
7. ADD 2" TO MEASUREMENT TAKEN IN STEP #6 AND CUT TAILPIECE (2) TO THAT LENGTH.
8. LUBRICATE RUBBER SEALS INSIDE ROUGH-IN ASSEMBLY (3) AND INSERT TAILPIECE (2) INTO ROUGH-IN ASSEMBLY (3). MAKE SURE GASKET (1) IS FITTED ON TOP OF TAILPIECE.
NOTE: IF TUB THICKNESS IS LESS THAN 1 1/4", USE ALTERNATIVE GASKET BDWOF-DS/SPACER.
9. MOVE TUB INTO POSITION AND ALIGN DRAIN HOLE OVER TAILPIECE (2)
10. INSERT DRAIN FLANGE (11) THRU TUB DRAIN HOLE.
11. INSERT TAILPIECE RETAINER TOOL (10) THRU DRAIN FLANGE (11) INTO THE TAILPIECE (2) AND TWIST COUNTER CLOCKWISE SO THAT THE TEETH INSIDE THE TAILPIECE ENGAGE THE SLOTS IN THE TOOL.
12. PULL UPWARD ON THE RETAINER TOOL (10) SO THAT THE TAILPIECE (2) WITH GASKET (1) IS FLUSH WITH THE BOTTOM OF THE TUB.
13. SLIDE THE TUBULAR SPANNER TOOL (9) OVER THE TAILPIECE RETAINER TOOL (10). INSERT THE TUBULAR SPANNER INTO THE GROOVES OF THE DRAIN FLANGE (11)
14. HOLD THE TAILPIECE RETAINER TOOL (10) IN PLACE WHILE TWISTING THE TUBULAR SPANNER (9) CLOCKWISE TO THREAD THE DRAIN FLANGE (11) INTO THE TAILPIECE.
15. TIGHTEN SECURELY, REMOVE INSTALLATION TOOLS (9) & (10). DROP THE CLICKER & CAP (12) INTO THE DRAIN FLANGE (11). TEST FOR LEAKS.



WARRANTY

FOR WARRANTY INFO PLEASE VISIT WWW.MOUNTAINPLUMBING.COM/PAGE/RESOURCES/WARRANTY

FINISH CARE & MAINTENANCE

NEVER USE ANY HARSH ALKALI, ACID BASED DETERGENTS OR CLEANERS SUCH AS SOFT SCRUB®, SCRUBBING BUBBLES® OR COMET® TO CLEAN. DO NOT USE BRILLO® OR SCOTCH BRITE® PADS. THESE WILL ALL HARM THE FINISH. TO CLEAN, USE ONLY A DAMP SOFT CLOTH AND WIPE GENTLY. STANDARD WINDEX® CAN ALSO BE USED SPARINGLY. IT IS NOT NECESSARY TO WIPE HARD TO REMOVE SPOTS. TO MAINTAIN THE FINISH, WIPE WITH A SOFT DRY CLOTH AFTER USE. AN OCCASIONAL COAT OF PURE CARNAUBA WAX WITHOUT CLEANERS WILL HELP PROTECT THE FINISH.

SPECIFICATIONS SUBJECT TO CHANGE WITHOUT NOTICE

www.mountainplumbing.com 888-222-9140 fax 972-456-2719

form BDWOF-DS inst sht